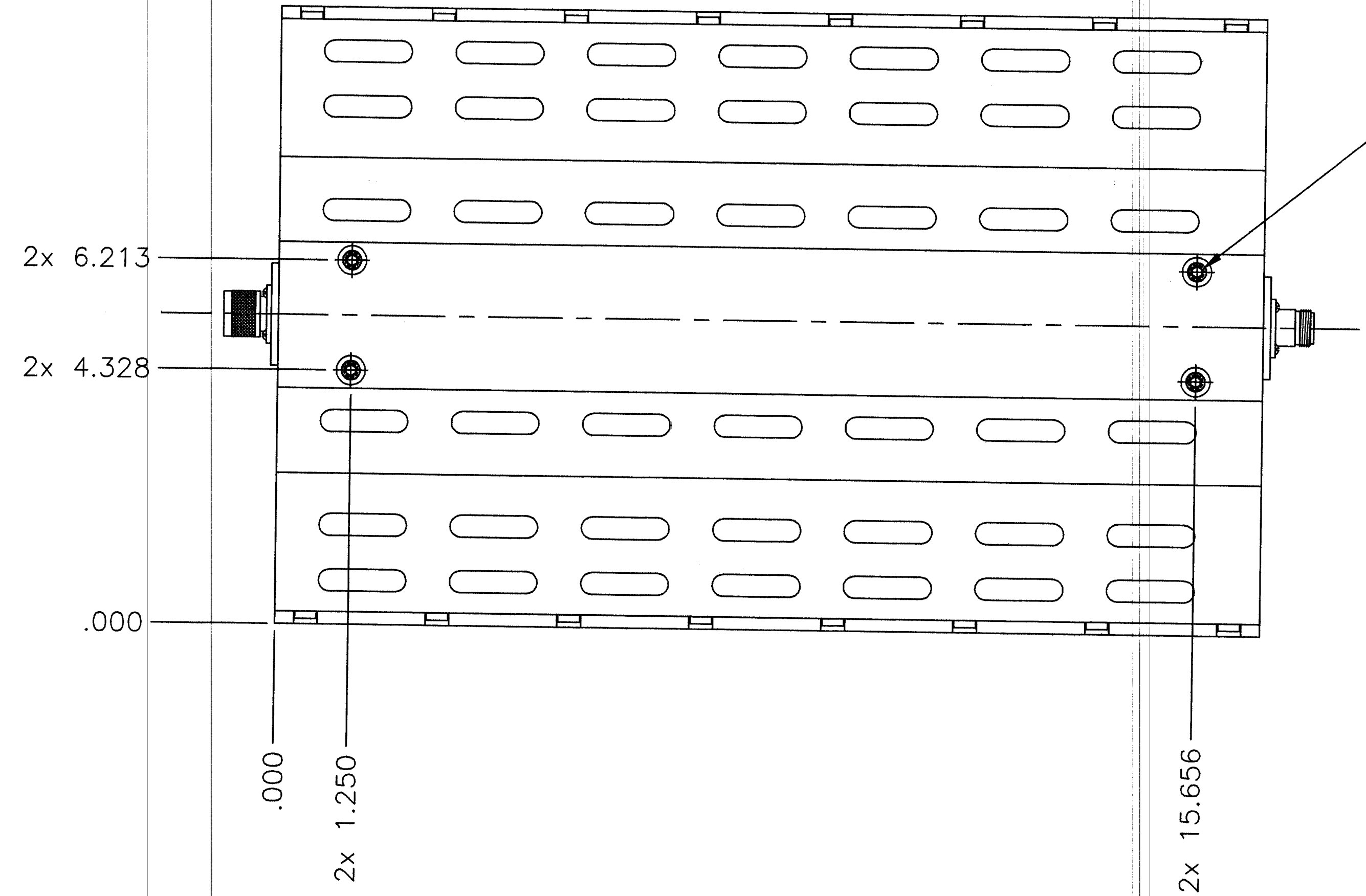
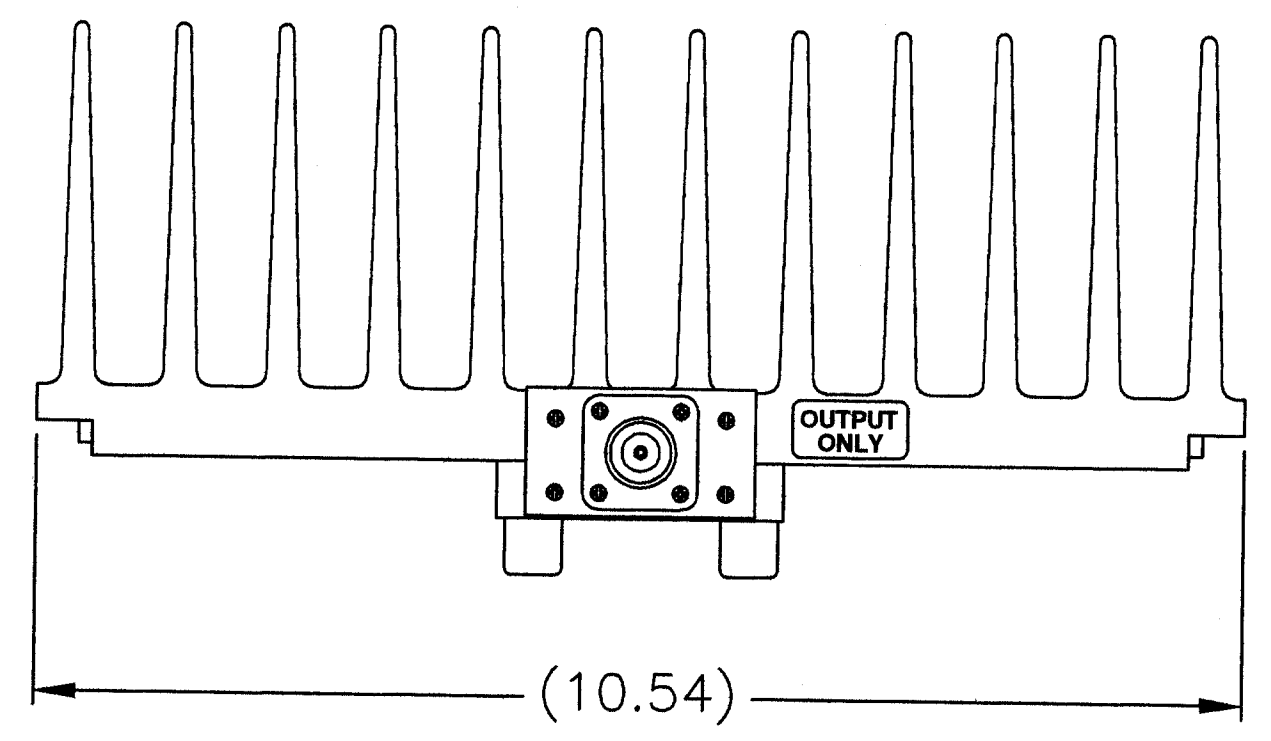
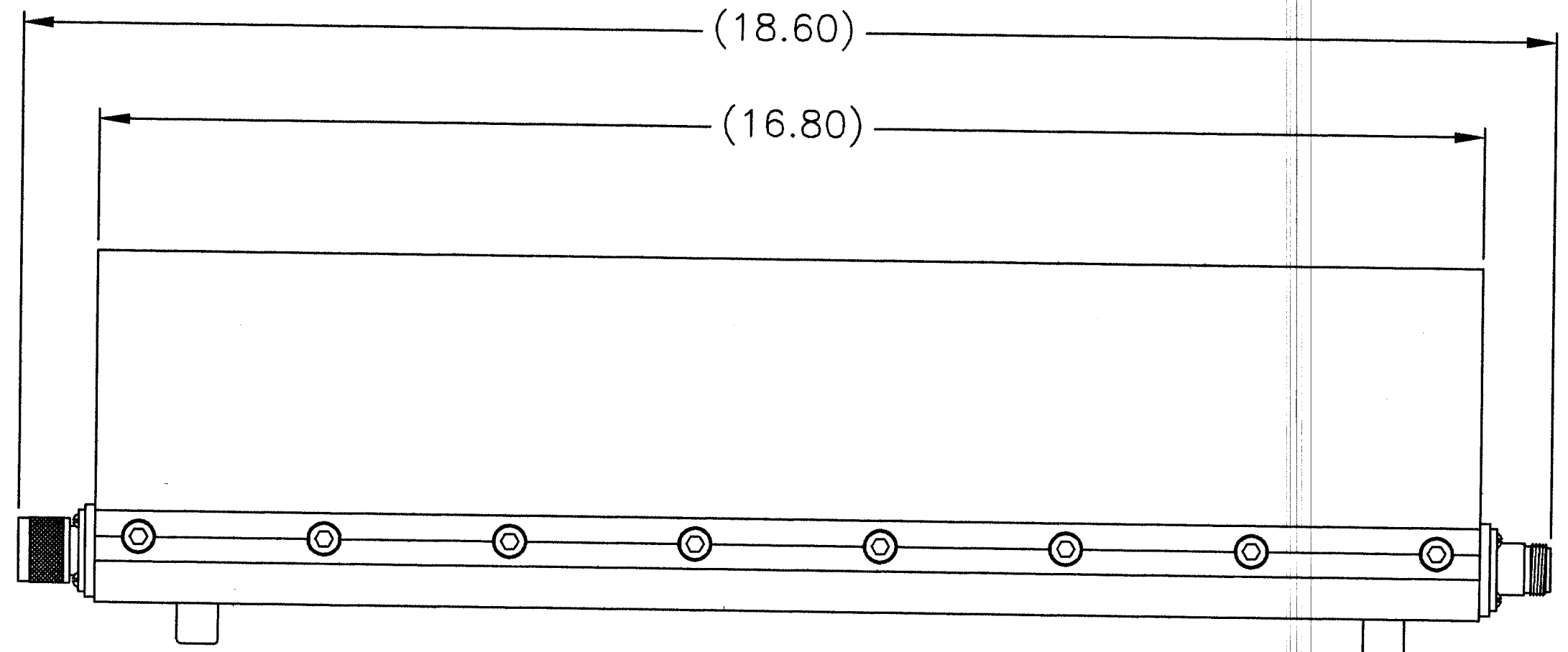
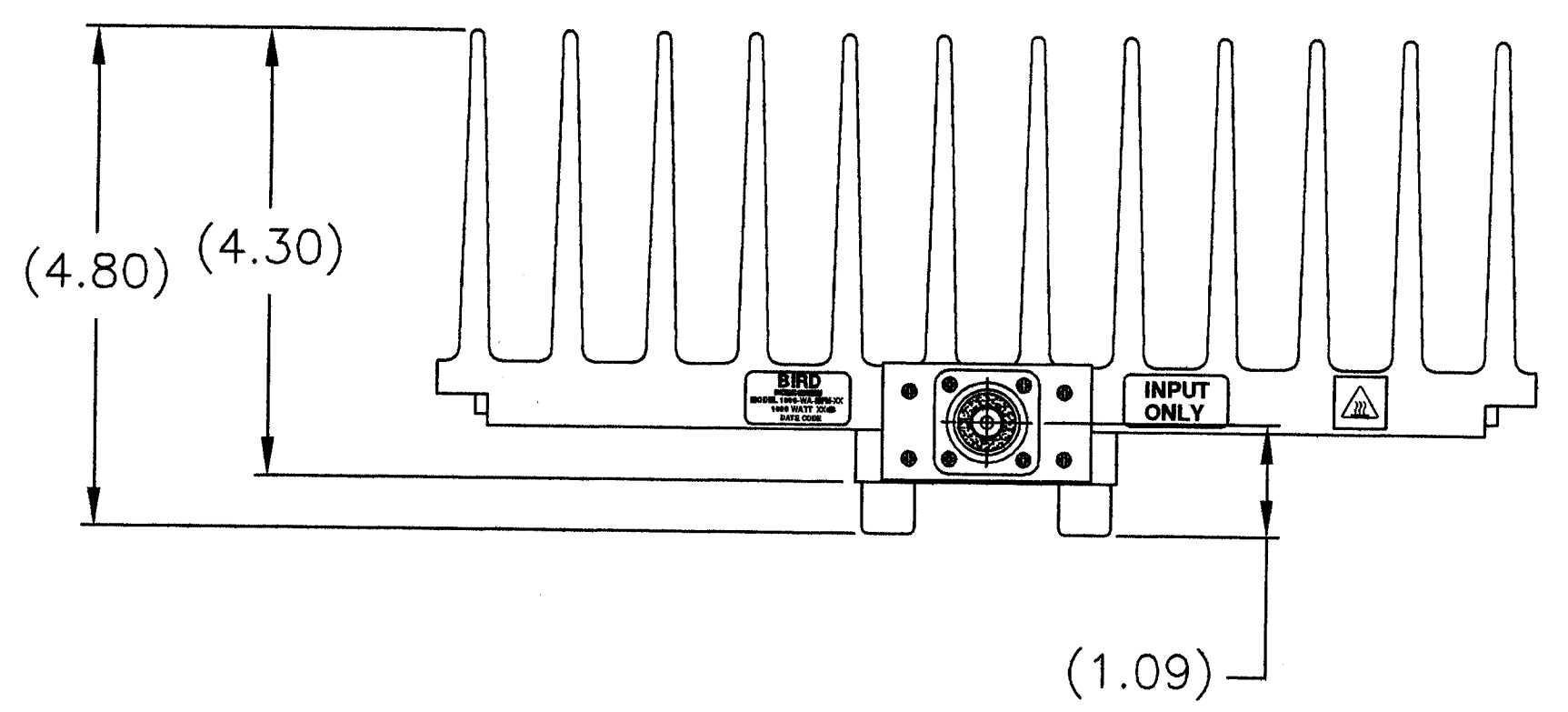


IMPEDANCE: 50 OHMS NOMINAL
 FREQUENCY RANGE: DC TO 2.4GHz
 VSWR: DC TO 1GHz AT 1.10:1 MAX.
 1GHz TO 2.4 GHz AT 1.25:1 MAX.
 POWER RATING: 1000 WATTS AVG. (UNI-DIRECTIONAL) AT 25°C AMBIENT
 COOLING FIN: ALUMINUM, BLACK ANODIZED
 COVER: ALUMINUM, BLACK ANODIZED
 CONNECTORS: N-TYPE MALE AND FEMALE, TRI-ALLOY PLATED
 OPERATING POSITION: ANY POSITION EXCEPT MOUNTING SURFACE UP
 NOMINAL SIZE: APPROX. 18.60" L X 10.54" W X 4.80" H
 WEIGHT: APPROX. 26.5 LBS

REVISIONS				
ZONE	REV	DESCRIPTION	DATE	APPROVED
A	ECN #0241		8-31-99	MBV
B	ECN #0260		8-11-00	MBV



DASH NO.	dB ATTEN.	ATTENUATOR DC - 1GHz	ACCURACY ±dB 1 - 2.4GHz
-30	30	±1.0	-0.5dB/+1.5dB
-20	20	±0.6	-0.5dB/+1.5dB
-10	10	±0.6	-0.5dB/+1.5dB
-06	6	±0.6	-0.5dB/+1.2dB
-03	3	±0.5	-0.5dB/+1.0dB

UNLESS OTHERWISE SPECIFIED DIMENSIONS ARE IN INCHES TOLERANCES ARE:
 FRACTIONS DECIMALS ANGLES
 ± 1/64 .005 ± 0.10 2° 30'

MILLIMETERS
 .5 = ± .4
 .30 = ± .12

THIS DRAWING IS THE PROPERTY OF THE BIRD ELECTRONIC CORPORATION. THE DESIGNS AND SPECIFICATIONS DISCLOSED HEREON ARE PROPRIETARY AND SHALL NOT BE REPRODUCED, NOR COPIED, NOR USED AS THE BASIS FOR THE MANUFACTURE OR SALE OF APPARATUS OR DEVICES WITHOUT THEIR EXPRESS WRITTEN CONSENT.

BIRD Electronics Corporation
 Cleveland (Solon) Ohio USA

MATERIAL	APPROVALS	DATE	TITLE
	D.M.RINK	11-8-02	ATTENUATOR, CONVECTION COOLED N-TYPE MALE/FEMALE, 1000W
FINISH	CHECKED		
	APPROVED	3-17-03	
	AUTOCAD		

DIMENSIONS HEREON ARE FOR CUSTOMER CONVENIENCE AND REFERENCE ONLY. TOLERANCE TO BE APPLIED ONLY WHERE INDIVIDUALLY STATED ON THE RESPECTIVE DIMENSION. -DO NOT SCALE DRAWING-

DRAWING NO. 1000-WA-MFN-XX B
 SCALE 1:1
 SHEET 1 OF 1