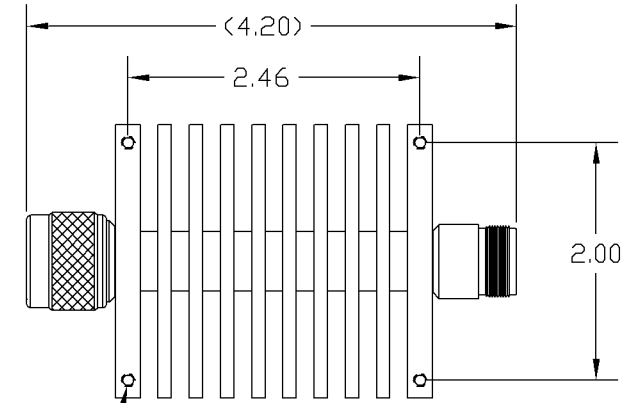
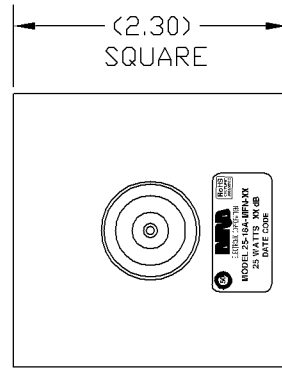


REVISIONS			
REV	DESCRIPTION	DATE	APPROVED
A	RELEASED TO PRODUCTION	3-5-09	

SPECIFICATIONS:  
 IMPEDANCE: 50 OHMS NOMINAL  
 POWER RATING: 25 WATTS CW AT 25°C (BI-DIRECTIONAL)  
 - DERATED LINEARLY TO 5 WATTS AT 125°C  
 PEAK POWER: 500 WATTS  
 FREQUENCY RANGE: DC TO 18GHz  
 VSWR: DC TO 6GHz: 1.20:1 MAX  
 6GHz TO 12.4GHz: 1.30:1 MAX  
 12.4GHz TO 18GHz: 1.40:1 MAX  
 ATTENUATION VALUES/ACCURACY: SEE TABLE  
 OPERATING POSITION: ANY  
 OPERATING TEMPERATURE RANGE: -65°C TO +125°C  
 CONNECTORS: N-TYPE MALE/FEMALE (PSS)  
 HOUSING: ALUMINUM, BLACK ANODIZED  
 NOMINAL SIZE: 2.30" SQ. X 4.20" LONG  
 WEIGHT: APPROX. 13.3 OZ



NOTE:  
 FOR VALUES NOT LISTED, REFER TO THE NEXT HIGHER ATTENUATION LEVEL FOR SPECIFICATIONS. FOR ATTENUATION VALUES GREATER THAN THE HIGHEST LISTED ATTENUATION VALUE, REFER TO THE VALUE 1/2 THE DESIRED ATTENUATION LEVEL, THEN DOUBLE THE LISTED SPECIFICATION VALUES, UNLESS OTHERWISE SPECIFIED.

XX = DASH NUMBER (dB VALUE)

DASH NO.	dB ATTEN. VALUE	DC - 6GHz	6 -12.4GHz	12.4 - 18GHz
-40	40	±1.00 dB	±1.25 dB	±1.50 dB
-30	30	±0.75 dB	±1.00 dB	±1.25 dB
-20	20	±0.50 dB	±0.75 dB	±1.00 dB
-10	10	±0.50 dB	±0.75 dB	±1.00 dB
-06	6	±0.30 dB	±0.50 dB	±0.75 dB
-03	3	±0.30 dB	±0.50 dB	±0.75 dB
ATTENUATION ACCURACY ±dB				

UNLESS OTHERWISE SPECIFIED DIMENSIONS ARE IN INCHES TOLERANCES ARE: FRACTIONS ±1/64    DECIMALS .XX= ±0.10 .XXX= ±0.005 ANGLES ±30'        MILLIMETERS .X= ±.4 .XX= ±.12 DO NOT SCALE DRAWING		APPROVALS DRN DMD CHK APP	DATE 3-5-09	
THIS DRAWING IS THE PROPERTY OF THE BIRD TECHNOLOGIES GROUP OR BIRD ELECTRONIC CORPORATION. THE DESIGNS AND SPECIFICATIONS DISCLOSED HEREIN ARE PROPRIETARY AND SHALL NOT BE REPRODUCED, NOR COPIED, NOR USED AS THE BASIS FOR THE MANUFACTURE OR SALE OF APPARATUS OR DEVICES WITHOUT THEIR EXPRESS WRITTEN CONSENT.		MATERIAL CODE	TITLE ATTENUATOR, CONVECTION COOLED, N-TYPE MALE/FEMALE, DC TO 18GHz, 25W	
		FINISH CODE	B FSCM NO. 70998    SCALE 1:1    DWG. NO. 25-18A-MFN-XX    REV A PROJ./LIB AUTOCAD    COMM CODE AT1    SHEET 1 OF 1	